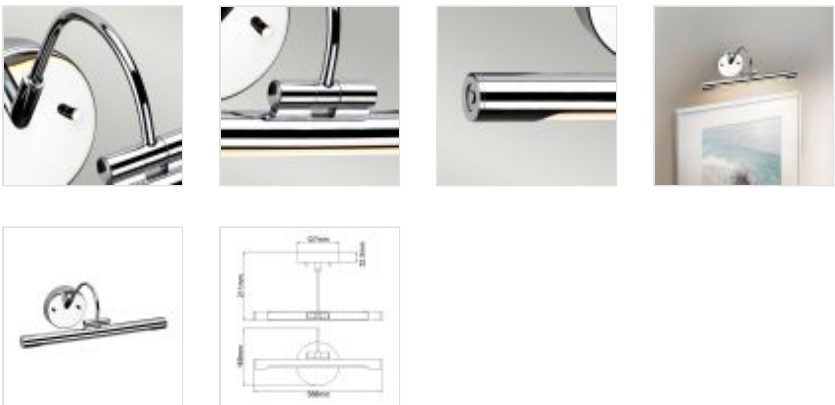


30215

1 Light Small LED Picture Light - Polished Chrome



DETAILS	
FAMILY	Alton
SUITABLE LOCATION	Interior
GUARANTEE	General 2 Year Guarantee
FINISH	Polished Chrome
FITTING HEIGHT	169mm
WIDTH	388mm
PROJECTION/DEPTH	211mm
POWER SOURCE	Mains Voltage
VOLTAGE	220-240v 50hz
MAXIMUM WATTAGE	6.6W
NUMBER OF LAMPS	1
SOCKET	Integrated LED
INTEGRATED LED	No
LED LUMENS	513Lm
LED COLOUR TEMP	3000k
CLASS	Class I
BUILD MATERIALS	Steel, Polycarbonate
DIMMABLE FITTING	Dimmable
PRODUCT WEIGHT	0.69kg
BOX DIMENSIONS	44.5 X 25.4 X 15.9cm
BOX WEIGHT	0.77 Kg



### PRODUCT DETAILS

This small LED picture light features a transitional design that complements a variety of décors. Available in two sizes and a selection of traditional and modern finishes, this LED fixture features an adjustable hinge joint to angle the ample light provided to perfectly enhance the display of your photographs and artwork.